

Dual Digital Audio Distribution Amplifier

Description

Featuring dual mode operation the D AD 5220 is a flexible and cost effective solution for AES digital audio distribution. The D AD 5220 can be used as a single 1>8 amplifier or a dual channel 1>4 device. This module is ideally suited for the demanding requirements of broadcast and professional audio applications.

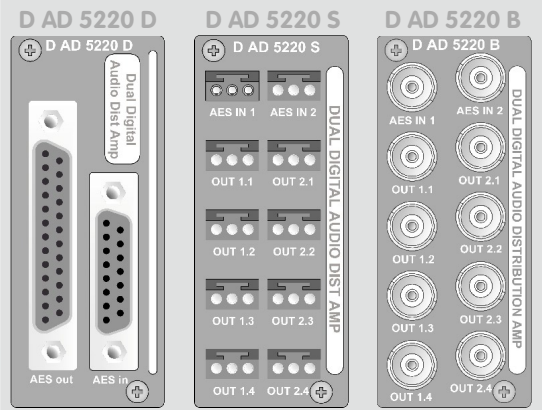
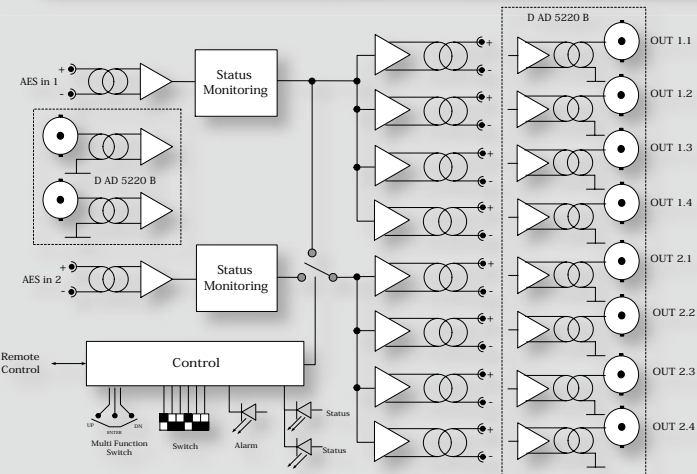
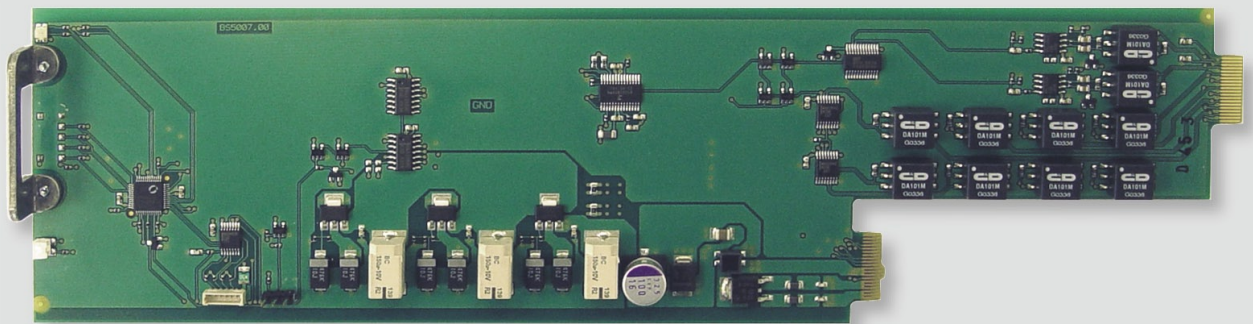
(through power cycles and module removal). Local control capability is provided via the integrated dip switch. Remote control, status monitoring and error reporting is possible when using the LYNX control system.

Each AES input can have independent sample rates ranging between 32KHz to 108KHz. Flexible backplane options allow for three connectivity choices, SubD or Weco for balanced AES3 signals and BNC for single ended AES3id signals. All inputs and outputs are isolated using transformers.

Microprocessor control and on board flash ram enable configurations and settings to be stored within the module

Features

- Dual mode operation 1>8 or dual 1>4
- Signal presence detection
- Supports sample rates between 32KHz and 108KHz (independent for each input channel).
- Three backplane options
- Balanced AES3 or single ended AES3id connectivity
- Fully isolated transformer coupled inputs and outputs
- Microprocessor controlled with internal flash ram for storing configuration
- Remote control, status monitoring and error reporting possible when used with LYNX control system
- Full SNMP support when used with master controller option
- Hot Swappable



Backplane Options

Dual Digital Audio Distribution Amplifier

Specifications

Audio Inputs	
Signal Type	D AD 5220 S/D = AES3 balanced D AD 5220 B = AES3id single ended
No. of inputs	2
Input coupling	Isolated with Transformers
Input Impedance	D AD 5220 S/D = 110 Ohms D AD 5220 B = 75 Ohms
Connector	D AD 5220 S = Weco screw terminal D AD 5220 D = 15 pin SubD female D AD 5220 B = BNC
Return loss	< 25dB (32KHz to 100KHz)
Audio Outputs	
Signal Type	D AD 5220 S/D = AES3 balanced D AD 5220 B = AES3id single ended
No. of outputs	8
Output coupling	Isolated with Transformers
Output Impedance	D AD 5220 S/D = 110 Ohms D AD 5220 B = 75 Ohms
Connector	D AD 5220 S = Weco screw terminal D AD 5220 D = 25 pin SubD female (tascam pinout) D AD 5220 B = BNC
Performance	
Sample rate	32KHz to 108KHz independent for each channel
Jitter	< 0.025%
Status monitoring (LED)	AES parity / Signal presence
Operating Modes	
Dual	2 independent audio input channels with 4 outputs each
Single	1 audio input channel with 8 outputs
Electrical Specifications	
Operating Voltage	12 VDC
Power Consumption	< 3W
Safety	IEC 60950/ EN 60950/ VDE 0805
Mechanical	
Size	283mm x 78mm
Weight	CardModule 120g, connector plate 50g
Ambient	
Temperature	5°C to 40°C Maintaining specifications
Humidity	90% Max non condensing

Specifications subject to change

Settings and Control

Local Settings	
Mode selection	Select between single 1>8 mode or dual 2>4 mode
Settings Available from Control System	
Local controls duplicated. No additional parameters provided via the control system	

On Board Indicators / LEDs	
Channel 1.	Signal present / AES Parity error / signal missing
Channel 2.	Signal present / AES Parity error / signal missing
General Alarm Indicator – 3 Color	

Ordering Information

Model #	Part Number	Description	Includes
D AD 5220 S	6155008242	Dual Digital Audio Distribution Amp (Weco)	CardModule, Rear termination Panel, Mounting Screws, + Weco connectors and Reference Manual
D AD 5220 B	6155008241	Dual Digital Audio Distribution Amp (BNC)	CardModule, Rear termination Panel, + Mounting Screws, and Reference Manual
D AD 5220 D	6155008240	Dual Digital Audio Distribution Amp (Sub D)	CardModule, Rear termination Panel, + Mounting Screws, and Reference Manual