



# yellobrik®

# yellobrik®

## Quick Reference

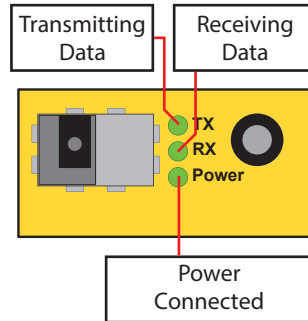
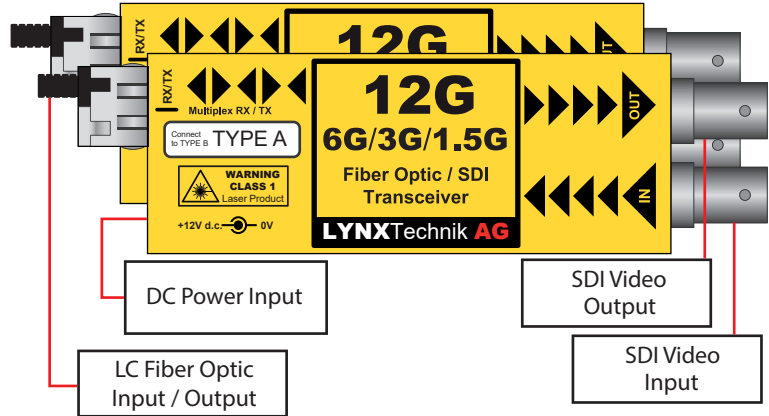
### Technical Specifications

<b>SDI Video</b>	1 x SDI video input
	1 x SDI Video output
	75 Ohm BNC connectors
	SMPTE 2082-1, SMPTE 2081-1, SMPTE 424M, SMPTE 292M
	Multi-standard operation from 270Mbit/s to 12Gbit/s
<b>Fiber Optic</b>	Multi-rate reclocking
	270Mbit/s - 1.48Gbit/s - 3Gbit/s - 12Gbit/s
	Return Loss: > 15dB to 1.5GHz and > 10dB up to 3GHz
	Automatic cable EQ (Belden 1694A cable)
	250m @ 270Mbit/s, 140m @ 1.5Gbit/s, 80m @ 3Gbit/s
<b>Power</b>	1 x Bidirectional fiber connection (LC/PC Connection)
	SMPTE 297M - 2006
	1270nm and 1330nm (WDM)
	TX and RX active LEDs on side of module
	Max. distance 10km (6.2 miles) @ 12Gbit/s (single mode)
<b>Power</b>	+12VDC power supply (included)
	Power LED on side of module

We are constantly adding additional yellobrik modules. Please visit our website for the latest product updates.

[www.lynx-technik.com](http://www.lynx-technik.com)

### OBD 1410 (pair) 12Gbit Bidirectional SDI/Fiber Transceiver



## WARNING



**LASER RADIATION**  
Do not view directly with optical instruments

**CLASS 1M LASER PRODUCT**

## Connections

The SDI video input and output is connected to the corresponding 75 Ohm BNC connections provided (up to 12Gbit). The fiber connection is made to the LC connector as indicated on the module. An example of a LC connector shown below.



## Operation

The OBD 1410 is a bidirectional transceiver which can send and receive SDI data simultaneously through a single fiber link. The modules are supplied as pairs, one **“Type A”** and one **“Type B”** and must be used as a pair. This is a closed loop WDM application using 1270 and 1330nm wavelengths.

Different video formats can be transmitted and received. Operation is automatic, no user settings are required. For transmission, the SDI video format is automatically detected, re-clocked and then transmitted over the fiber optic link. The received fiber SDI format is detected automatically, re-clocked and output as an electrical SDI signal.

The OBD 1410 supports any SDI video signal from 270Mbit/s to 12Gbit/s. Max distance is approx. 10km (6.2 miles). Data send and receive activity is indicated by the LEDs located on the side of the module. The module supports hot swapping and hot plugging of connections.

## Power

The module requires a 12V DC power input and a LED is provided to confirm power is connected. A power supply is provided, but if applying your own power, please provide a clean 12V DC power source. Module power consumption is approx 250mA (2.8VA)

## Power Lead Strain Relief

The module has a small hole in the case located above the power connection to prevent the power lead being accidentally pulled out. Use the supplied tie-wrap and secure the lead as shown below.



## Optional Mounting Bracket

The optional RFR 1001 mounting bracket can be used to permanently mount the module on any flat surface or on 19" rack rails.



**Note** Another module type is shown for illustration purpose only. The principle is the same for OBD 1410.