



yellobrik®

yellobrik®

Quick Reference

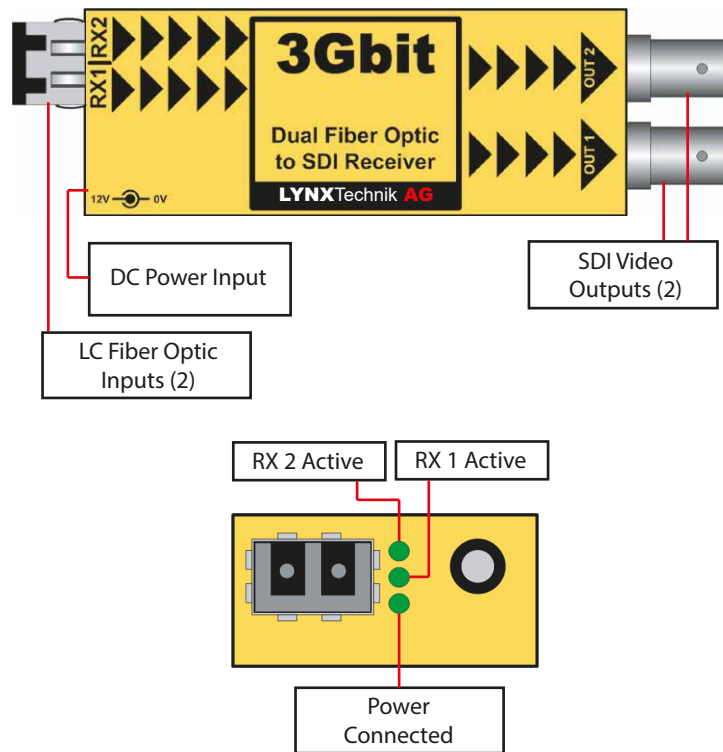
Technical Specifications

Optical Inputs	2 x fiber optic Inputs Duplex (Singlemode) using LC/PC Connectors SMPTE 297M - 2006 Hot pluggable Input range (wavelength) 1260nm to 1620nm RX sensitivity -1dBm to -16dBm RX active LEDs on side of module SMF (Singlemode) fiber
SDI Outputs	2 x SDI video on 75 Ohm BNC connector SMPTE 424M, SMPTE 292M, SMPTE 259M, DVB-ASI Multi-standard operation from 270Mbit/s to 3Gbit/s Return Loss: > 15dB to 1.5GHz and > 10dB up to 3GHz
Power	+12VDC power supply (included) (supports external power input from 9 - 14 VDC) Power LED on side of module

We are constantly adding additional yellobrik modules. Please visit our website for the latest product updates.

www.lynx-technik.com

ORR 1802-2 Dual SD/HD/3G Fiber to SDI Receivers



LYNXTechnik AG®

Broadcast Television Equipment

Connections

The SDI video outputs are connected to the 75 Ohm BNC connections (up to 3Gbit). The fiber input connection is LC Duplex SMF (Singlemode). An example of the LC connector shown below (fiber Optic cable and LC connectors are not supplied)



*Note

The module is designed for use with SMF (Singlemode) fiber cable. While it is possible to use Multimode cable, performance (distance) is greatly degraded and not guaranteed.

Operation

The module has two identical (and fully independent) channels. Operation is fully automatic. The Fiber Input video rates are automatically detected, relocked and provided on the BNC output connectors.

The ORR 1802-2 supports any SDI video signal from 270Mbit/s to 3Gbit/s. The fiber Input wavelength range is 1270nm - 1610nm and is suitable for both basic fiber (1310nm) and CWDM applications. Data reception activity is indicated by the RX LEDs on the side of the module.

Note. If RX LED is OFF this indicates no signal is present, signal too weak or is a non valid input.

The module supports hot swapping and hot plugging of connections.

No user settings are provided for this module.

Power

The module requires a 12V DC power input and a LED is provided to confirm power is connected. A power supply is provided, but if applying your own power, please provide a clean 12V DC power source. Module power consumption is approx 250mA (2.8VA)

Power Lead Strain Relief

The module has a small hole in the case located above the power connection to prevent the power lead being accidentally pulled out. Use the supplied tie-wrap and secure the lead as shown below.



Optional Mounting Bracket

The optional RFR 1001 mounting bracket can be used to permanently mount the module on any flat surface or on 19" rack rails.



Note: ORR 1802-2 is identical in terms of mounting and securing.