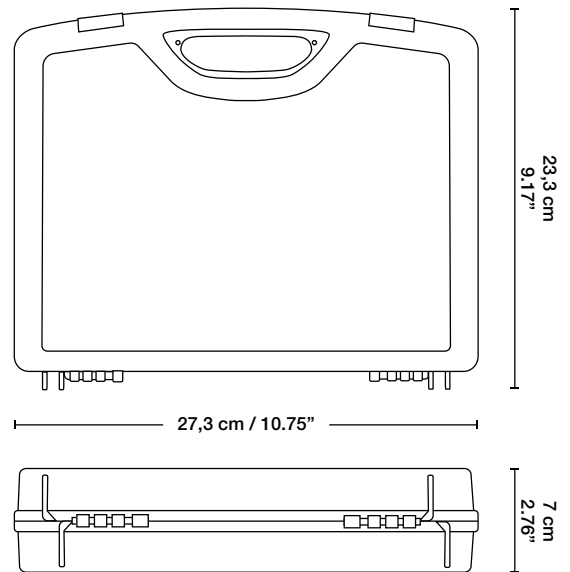


Plastic Transport Case for Testor | Lite™

- Impact dampening ABS Case
- Storage space for cables or yellobrik®
- Sturdy closing mechanisms

The Testor Lite™ Transport Case is perfect to protect your Testor and connection cables while storing or transporting. Designed to be durable and light, this ABS case is the ideal partner for your Testor Lite™ whenever you're on the road. The hard shell case protects your Testor Lite™ from most impacts in an average, busy work environment, while the inner foam coating prevents it from being scratched by cables or connectors. You can even transport standard sized yellobriks® inside the case together with a Testor Lite™.



Technical Specifications

Physical Size: 23.3cm x 27.3cm x 7cm (9.17" x 10.75" x 2.76")
Weight: 680g (24oz)

Model # PTG 1802 ABS Case (EAN: 4250479327580)

Ideal For:



Testor Lite™



Testor | Lite™ (PTG 1802) not included