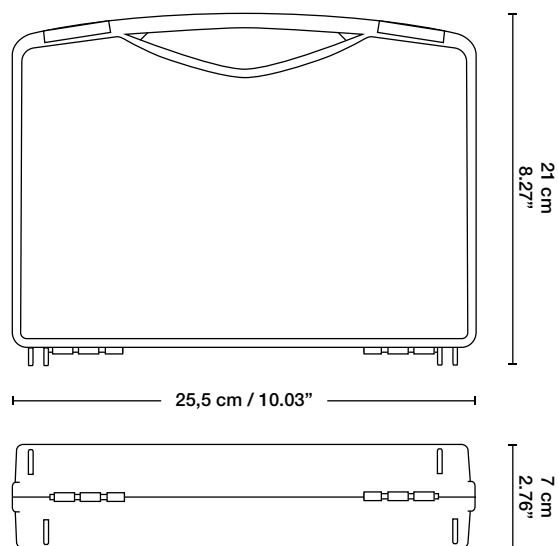


Plastic Transport Case for yellobriks®

- Impact dampening ABS Case
- Various storage spaces for supplies
- Sturdy closing mechanisms

This plastic transport case is perfect to keep your yellobrik® protected from environmental influences. Handy in design, this ABS Case is the ideal carrycase to transport your broadcast supplies safely wherever you need to be. The hard shell case protects any standard size yellobrik® from most impacts, drops or storage issues in an average, busy work environment.



Technical Specifications

Physical Size: 21cm x 25.5cm x 7cm (18.27" x 10.03" x 2.76")
Weight: 360g (12.7oz)

Model # ABS Case Series 1000 (EAN: 4250479325104)

Ideal For:



138mm x 90mm x 44mm
(5.43" x 3.54" x 1.72")*



128mm x 90mm x 22mm
(5.04" x 3.54" x 0.86")*



138mm x 90mm x 44mm
(5.43" x 3.54" x 1.72")*



No yellobrik® included